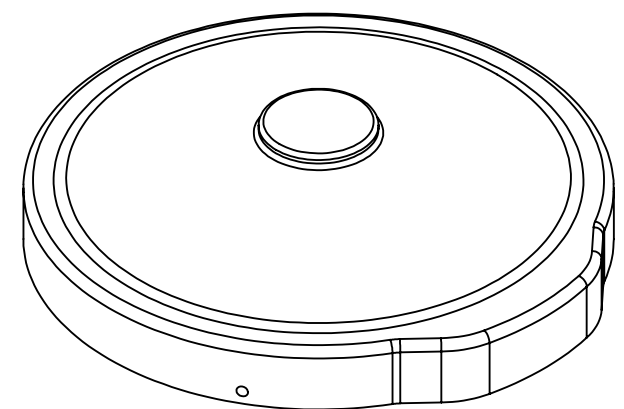
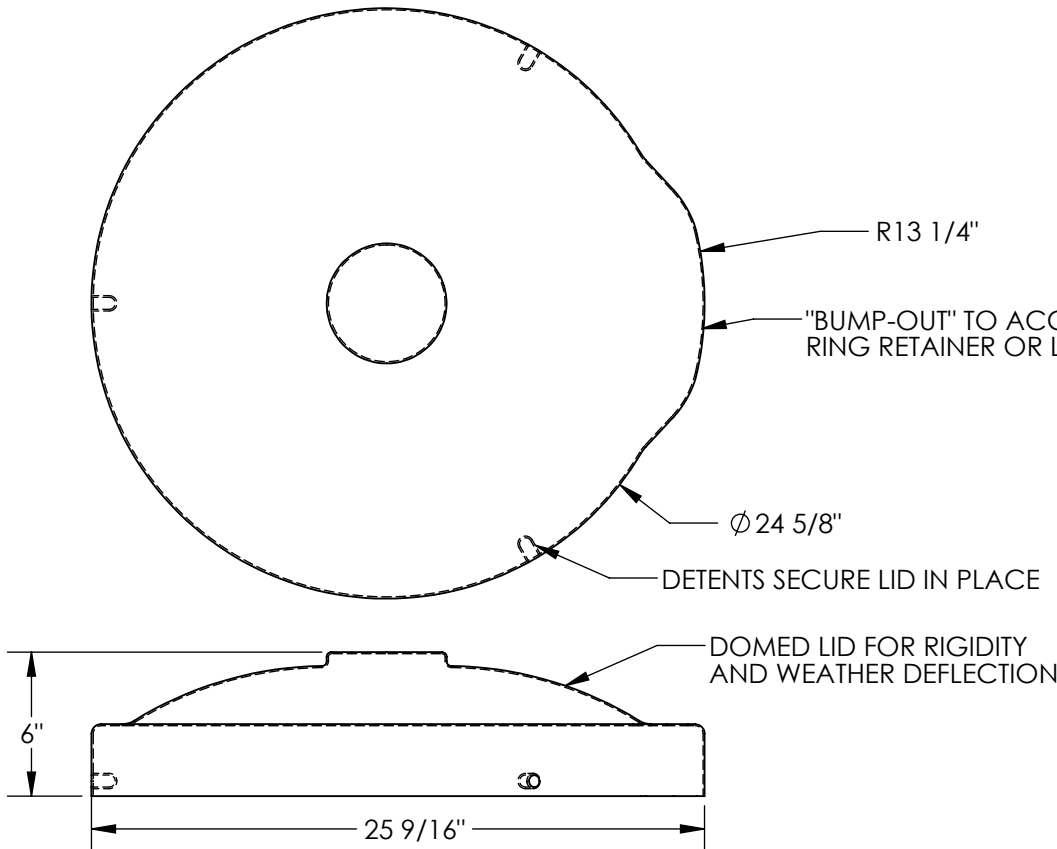


DOMED DRUM COVER - DC-P-55-UF-BK

APPROX WEIGHT: 1.71 lbs.
DOES NOT INCLUDE WEIGHT OF POWER OR PACKAGING!!!

*** ANY ADDITIONS, DELETIONS, OR OMISSIONS MUST BE CORRECTED ON THIS DRAWING AS THIS DRAWING WILL BE CONSIDERED ALL INCLUSIVE ***

ALL GRAPHICS PROVIDED ARE FOR REFERENCE ONLY. IF CERTAIN DIMENSIONS ARE CRITICAL PLEASE VERIFY THOSE DIMENSIONS WITH YOUR SALESPERSON



DIMENSION TOLERANCE $\pm 1/4"$

STANDARD FEATURES

- MODEL NUMBER IS DC-P-55-UF-BK
- OVERALL DIAMETER IS $\phi 24\ 5/8"$
- OVERALL LENGTH IS 25 9/16"
- OVERALL HEIGHT IS 6"
- MADE FROM LOW-DENSITY POLYETHYLENE
- DETENTS HOLD LID SECURELY IN PLACE
- DOMED LID FOR RIGIDITY AND WEATHER DEFLECTION
- "BUMP-OUT" ON OUTER DIAMETER WILL ACCOMODATE RING RETAINER W/ BOLT OR INSIDE OR OUTSIDE LEVER RELEASE
- COLOR IS BLACK.
- WORKS WITH 55 GALLON, CLOSED OR OPEN HEAD DRUMS

SPECIAL FEATURES

NONE

APPROVAL	I, THE UNDERSIGNED, AGREE THAT THE PRODUCT AS REPRESENTED SATISFIES DESIGN AND DIMENSION REQUIREMENTS. I ALSO ACKNOWLEDGE MY DUTY TO CONFIRM PRODUCT AND INSTALLATION COMPLIANCE WITH ALL APPLICABLE FEDERAL, STATE AND LOCAL REGULATIONS AND STANDARDS.	
	ANY MODIFIED UNITS ARE NON-RETURNABLE	
	[] As drawn [] As marked	
	Signed: _____	Date: _____
Printed Name: _____		
LEAD TIME WILL START UPON RECEIPT OF SIGNED APPROVAL DRAWING		

FOR INTERNAL USE ONLY PROJECT SIGN OFF	
SALES	
ENG.	
FAB.	
POWER	

DISTRIBUTOR'S NAME:		P.O.#
VESTIL MANUFACTURING		X
DRAWN BY: KGH		W.O.#
DATE: 8/23/2016		X
REFERENCE: X	SCALE: 1:8	SALES: X
QUOTED LEAD TIME: X	QUOTE #	FILE NAME:
	X	31-007-246